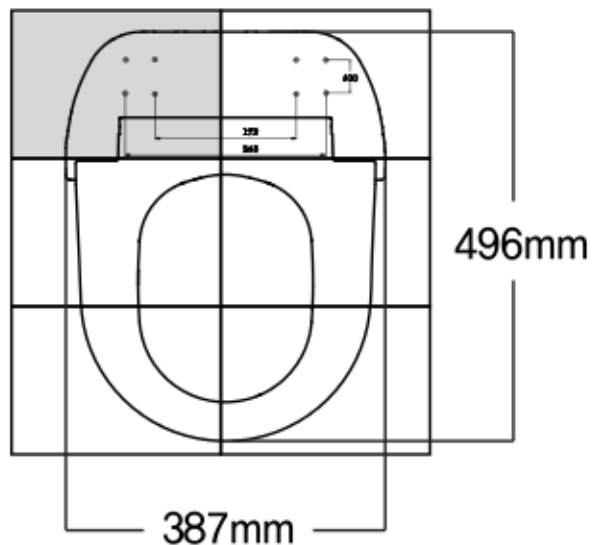
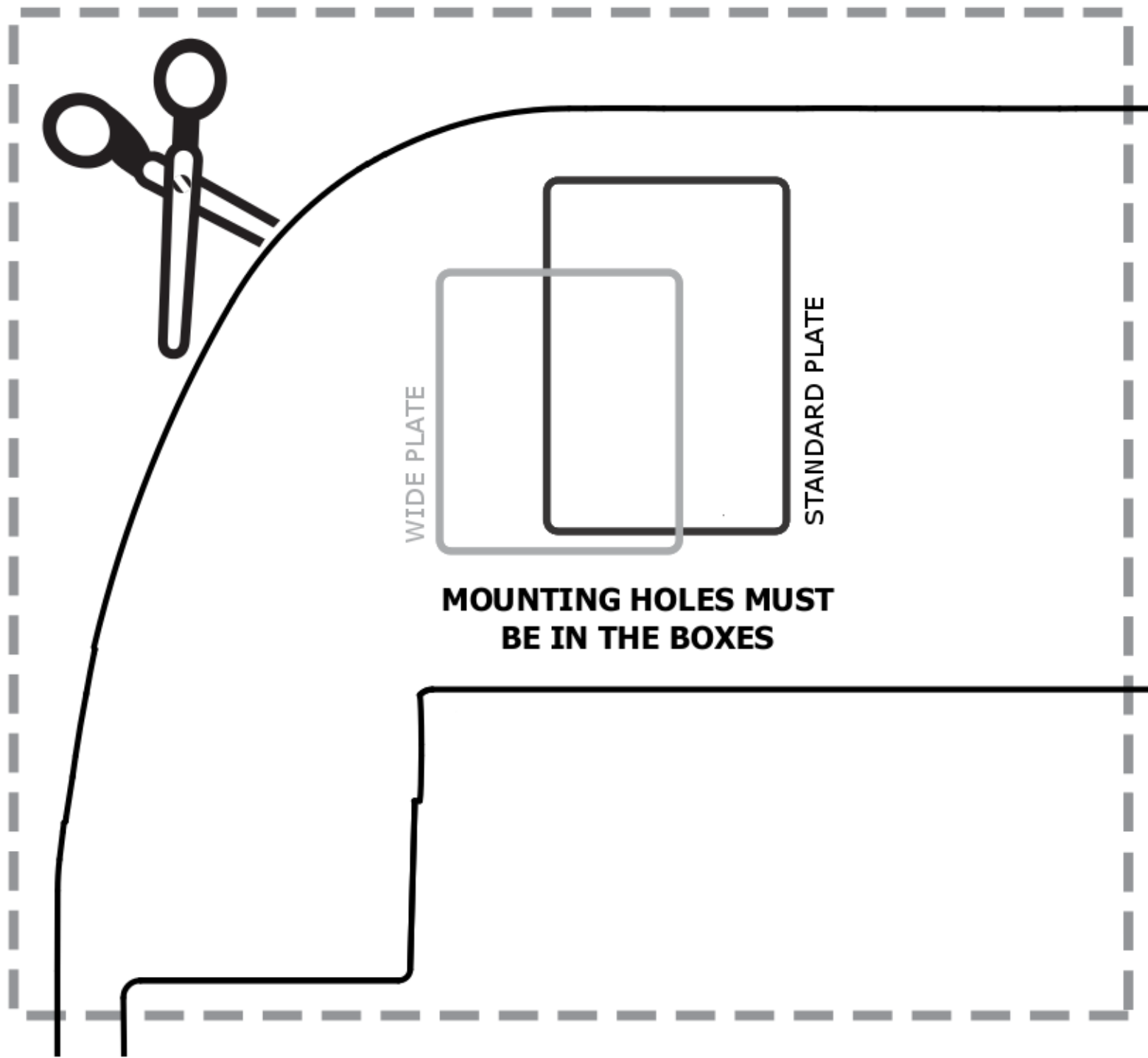


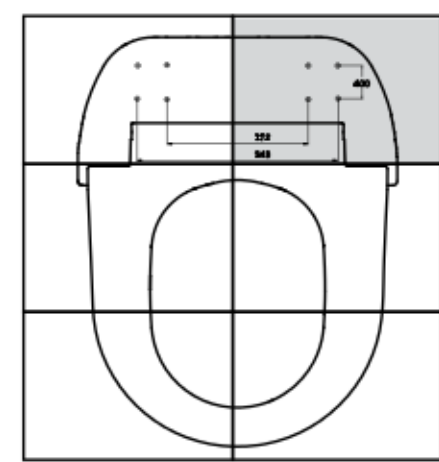
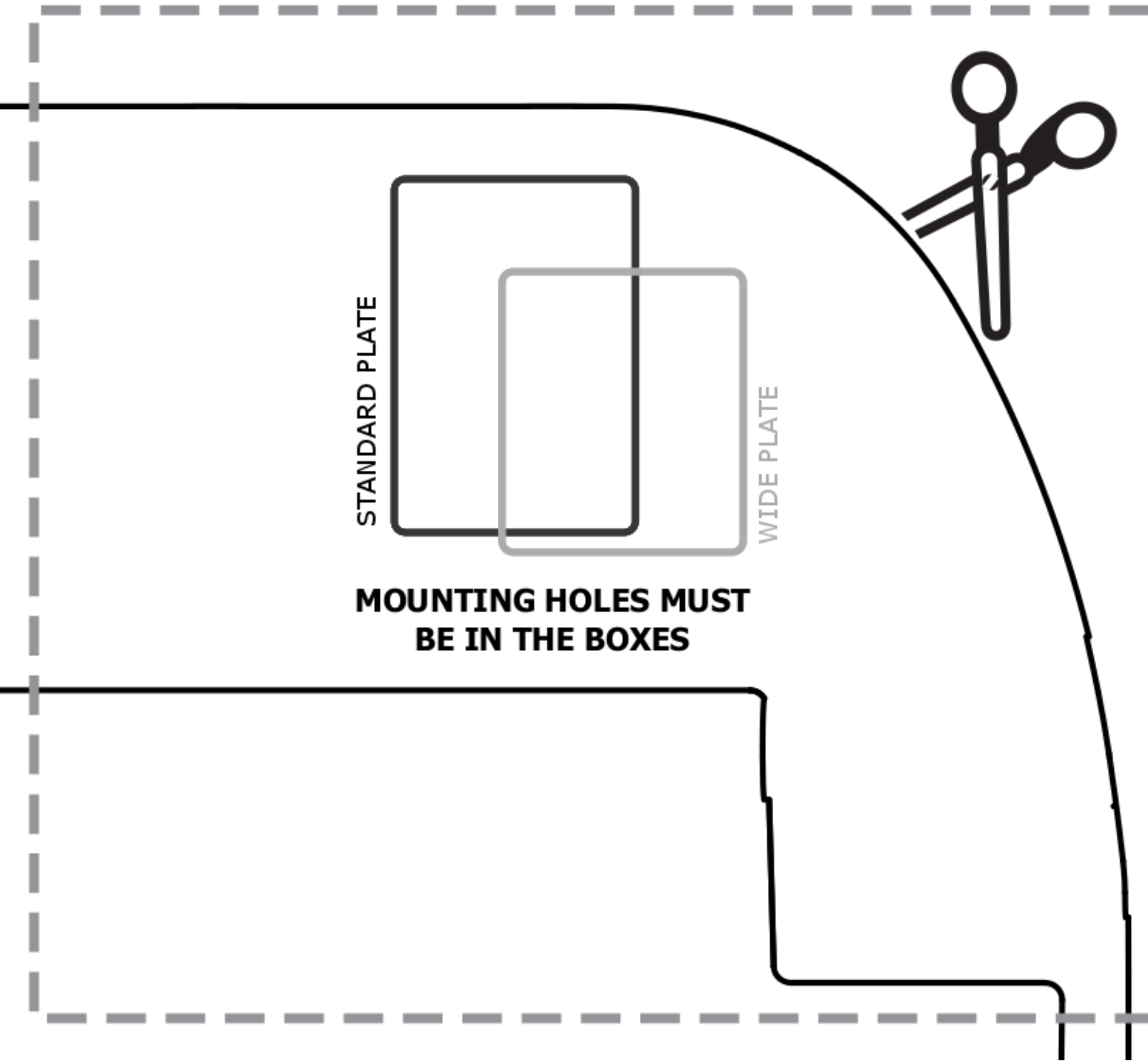
DESIGN SEAT

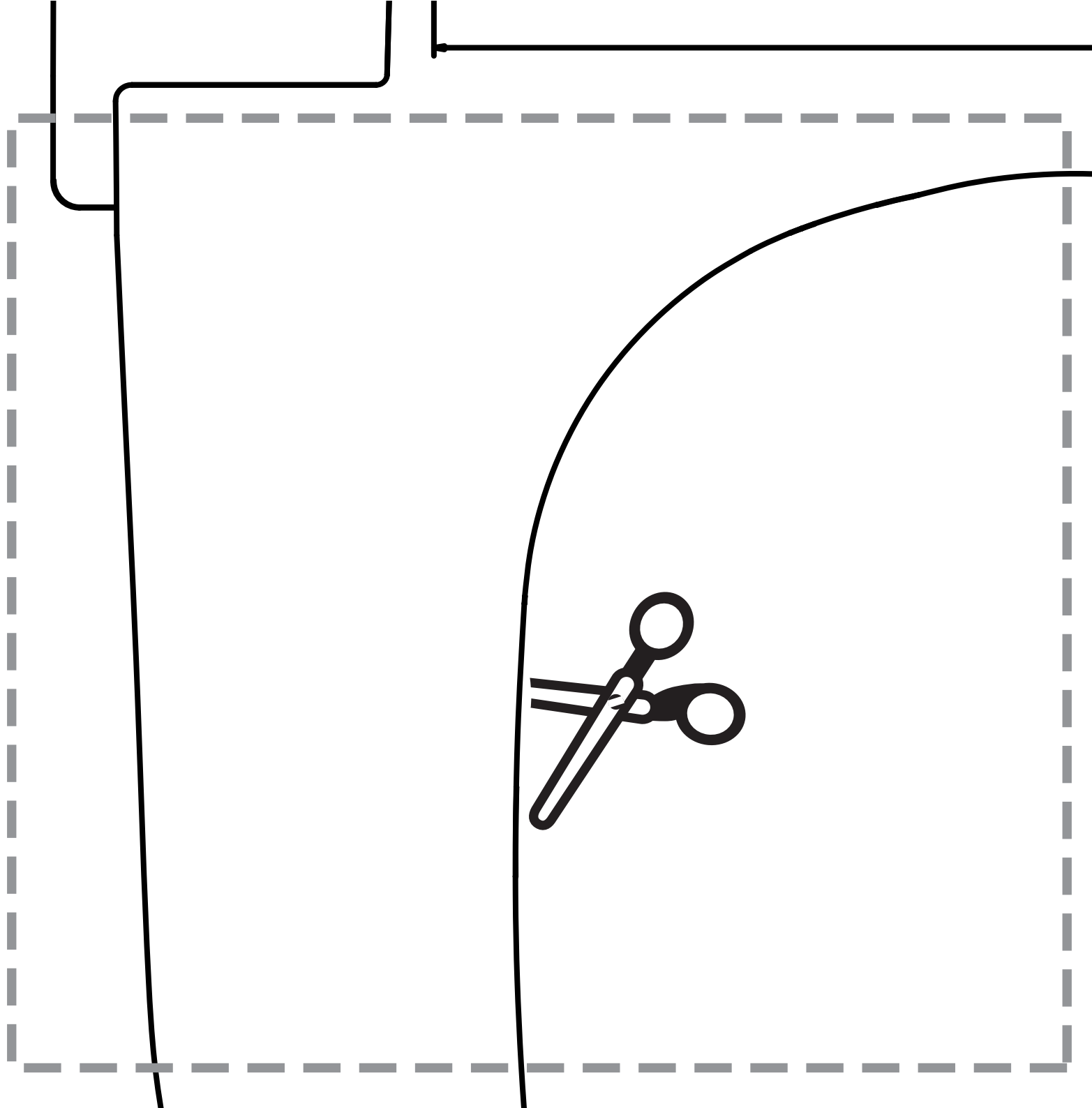
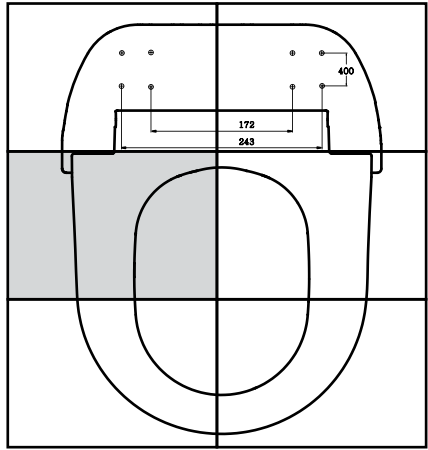
* USE A4

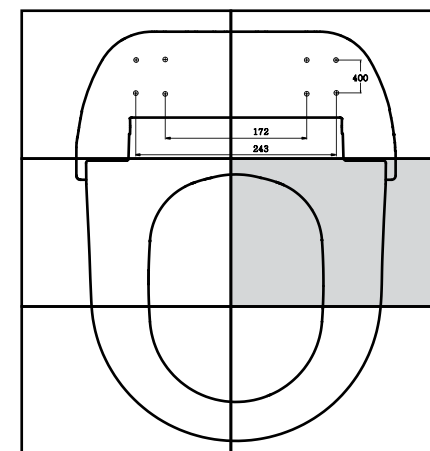
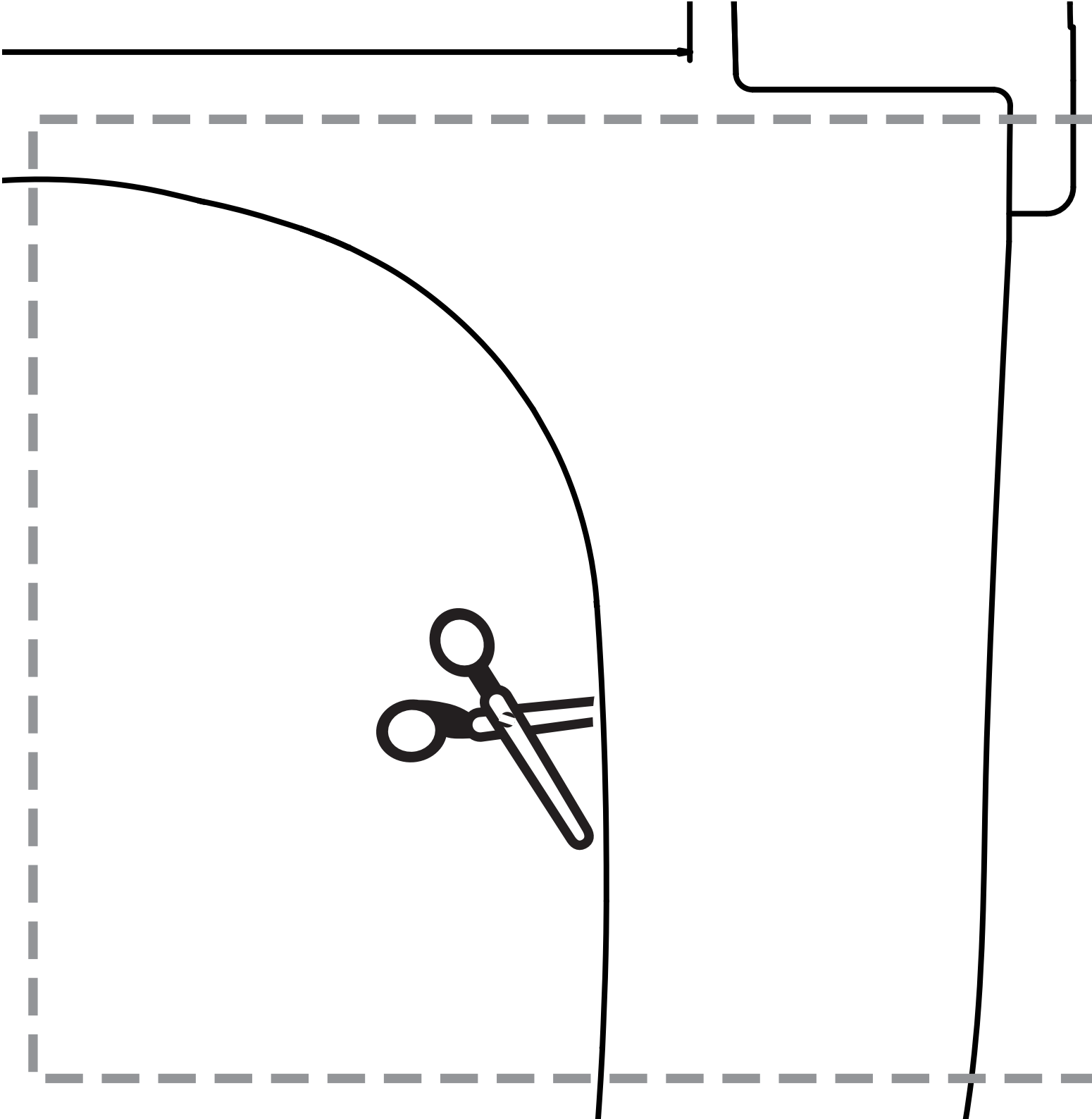


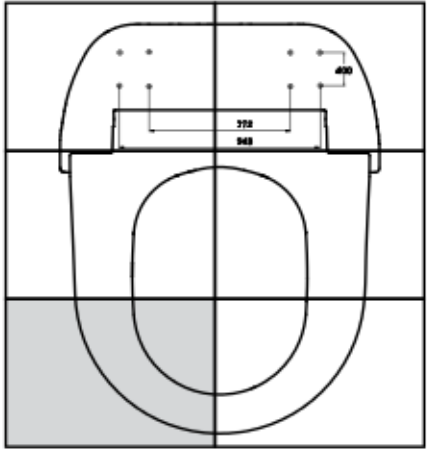
**PRINT KEEPING
THE PROPORTIONS**











INUS LUX
UB-7035RU-RC

