

INSTALLATION INSTRUCTION

SINGLE-LEVER 3-HOLE SHOWER/BATH MIXER

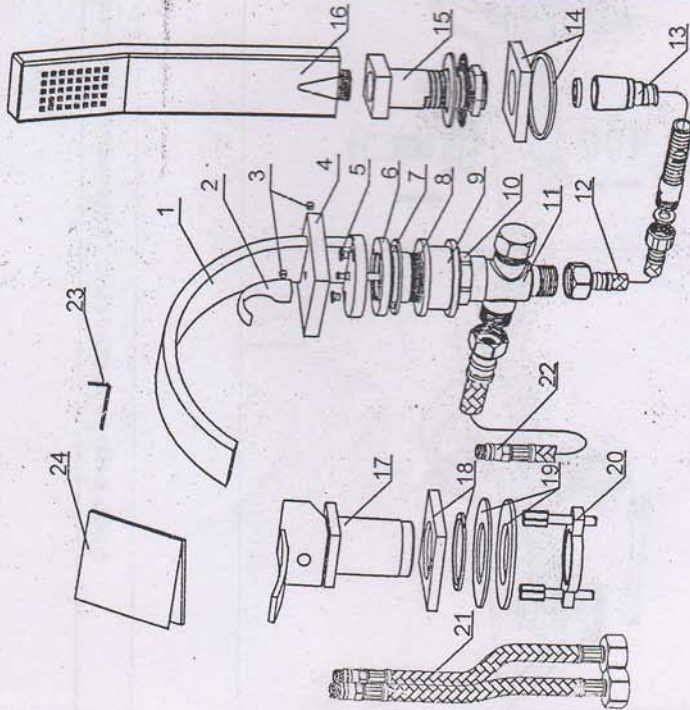
ACCESSORIES CHECKING

LIST OF THE STANDARD ACCESSORIES:

Please double-check the accessory list hereinafter and contact our distributor for any nonconformity.

Remarks:

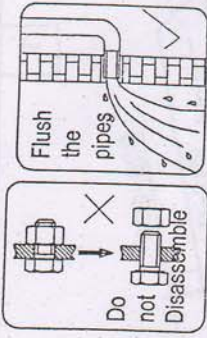
- Without affecting their performing, accessories may be changed without further notice.
- Drawings for reference only. Product size & shape refer to actual faucet.



The accessory list	QTY
1. Spout unit	1
2. Diverter tip	1
3. Screw	4
4. Decorative plate 1	1
5. Philip's head screw	2
6. Connective seat	1
7. Gasket1	4
8. Knurled nut	1
9. Clamping cover	1
10. Hexagon nut	1
11. Diverter unit	1
12. Steel wire pipe	1
13. Shower hose	1
14. Decorative plate 1	1
15. Handshower seat	1
16. Hand shower	1
17. Main body	1
18. Decorative plate 2	1
19. Gasket 1	1
20. Fixing rod	2
21. Inlet pipe	2
22. Delivery hose	1
23. Allen key	1
24. Manual	1

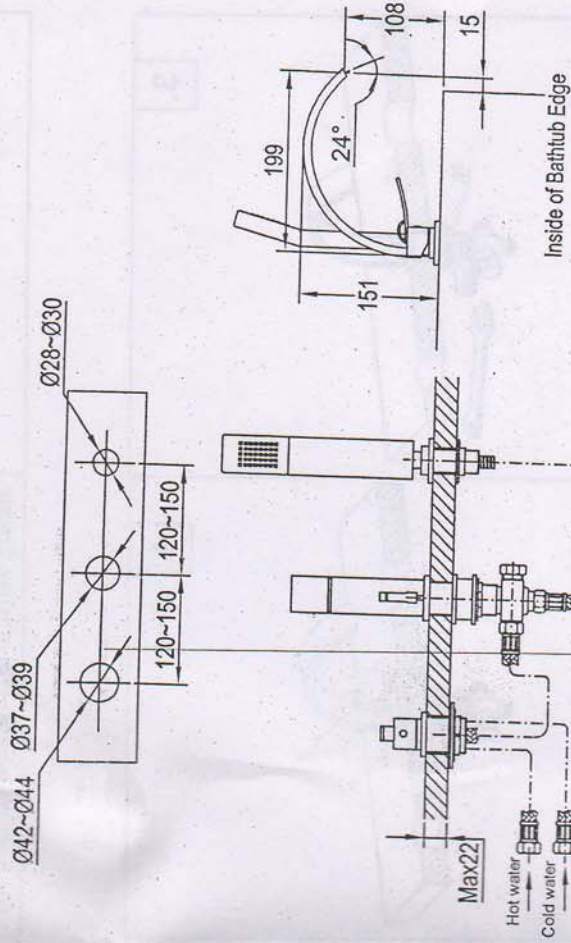
Installation Instructions

- Do not disassemble the control main body, as it has been installed & commissioned correctly & precisely before delivery from the factory.
- To avoid the faucet from jamming, do flush the water pipe before installation.
- After installation, make sure every joint safely sealed & no leaking.
- Using condition: Working pressure at 0.05-1.0MPa (including cold & hot water pressure) with applicable water temperature: 4°C-90°C.
- Make sure to connect the hot/cold inlet pipe correctly, if standing in front, hot water pipe connecting to the left & cold water pipe connecting to the right.



Dimension Drawings

Installation dimension drawing



※ Installation procedures:

<p>1.</p>	<p>1. Make sure of enough thickness of the deck and the right size of the mounting holes before installation. The distance between two holes :120~150mm.</p>
<p>2.</p>	<p>2. After dis-assemble diverter unit(11) from spout, put the diverter unit with hexagon nut (10), fixing nut(9), knurled nut(8) through the mounting hole from the bottom as per above fig. Then fix the spout from above with washer 1 (7).</p>

<p>5.</p>	<p>5. After taking out the handshower seat, dis-assemble gasket 2, clamping ring 1 and nut 2 as per above fig.</p>
-----------	--

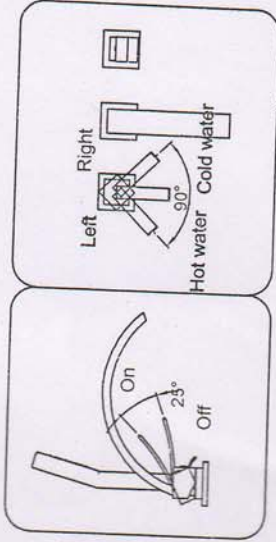
<p>3.</p>	<p>3. After adjusting the diverter unit to the proper direction, connect the spout and diverter unit with knurled nut, then fix with the hexagon nut by wrench.</p>
<p>4.</p>	<p>4. Install the decorative plate onto spout by means of the protective groud. Then install the diverter tip and fasten screw with allen key.</p>

<p>6.</p>	<p>6. After putting the handshower seat through the installation hole of the deck from above, then fix it with the gasket 2, clamping ring 1 and nut 2 from the bottom.</p>
<p>7.</p>	<p>7. After adjusting the handshower seat to the proper direction, tighten the nut 2 with wrench.</p>

※ Usage

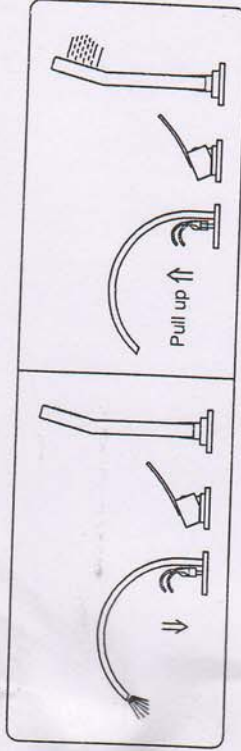
☆ How to use the handle:

- 1) Raise the handle up to turn on faucet, put down to turn off;
- 2) Control the hot water with left handle, and cold water with the right one.



☆ How to use the diverter :

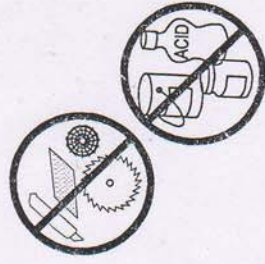
- 1) Turn on spout water by opening the handle;
- 2) Pull-up the diverter tip to switch water from spout to shower, Push down the diverter tip to switch water from shower to spout.



※ Cleaning & Maintenance

☆ To keep the product clean & shining, follow the steps as below:

1. Flush with clean water & dry with soft cloth only;
2. If any dirt, clean with soft liquid or transparent glass detergent;
3. Do not use any scrubbing detergent, polisher, sand-cloth, paper tissue or scraper.
4. Do not use acid detergent, indissolvable grain-like detergent or soap.



※ This installation manual is only for your reference, the final right to explain & revise is belongs to us.

Serial number: 80010110142

